

INTEGRATED (Edusat + Gramsat + TM) SATELLITE NETWORK: RAJASTHAN STATE

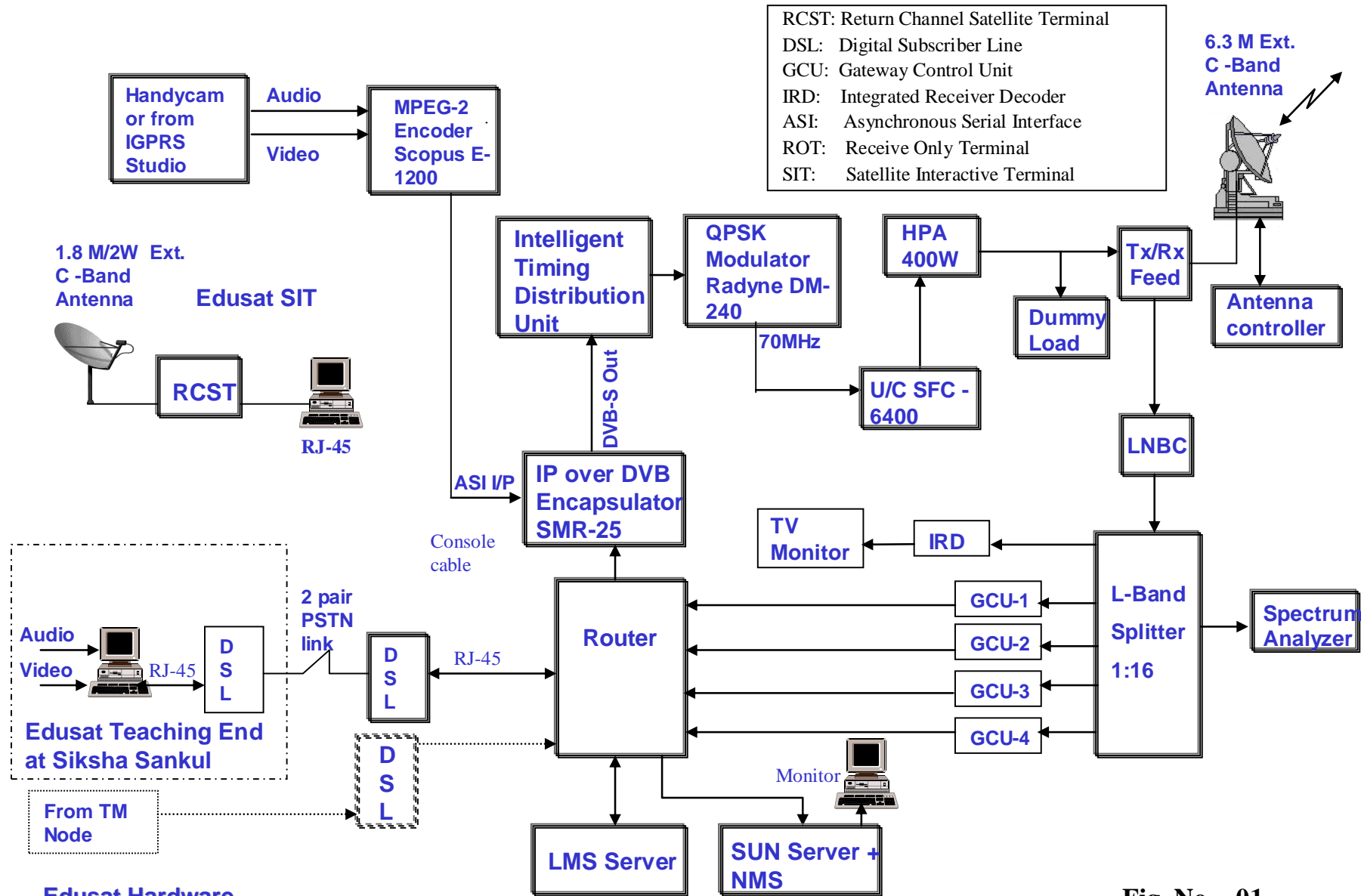


Fig. No. - 01

Resources Available for SATCOM Project

Satellite	GSAT-(EDUSAT)-74 East/INSAT 4CR
Uplink frequency Allocated Pol	6804.4 MHz to 6813MHz. Ver
Downlink frequency Allocated Pol	4597.4 MHz to 4588MHz Lin Horiz
Downlink center frequency	4583.75 Mhz
L BandCenter Frequency	1233.7 MHz
Total Transponder	12 (Ext-C band) Regional beam - Six, Ku band, - Five Spot beam - one
Studio	Studio at Indira Gandhi Panchayati Raj Sansthan
Band Width Allocation	9.0 MHz
No of Transponder Channels	One Extended –C band
Data rates	Maximum data rates is 4.1Mbps and using only 3.7 Mbps
Gramsat Project	<ul style="list-style-type: none"> • SIT (Two way video and Two way audio) 32 ZilaParishad • ROT (One way video and Two way audio) 237 PanchyatSamities
Telemedicine Project	<ul style="list-style-type: none"> • SIT (Two way video and Two way audio) 38
Edusat Project	<ul style="list-style-type: none"> • SIT (Two way video and Two way audio) 44 DPEP • ROT (One way video and Two way audio) 13 DPEP • ROT (One way video and Two way audio) 50 Secondary & Hr. Secondary School • SIT (Two way video and Two way audio) 6 VMOU • Interactive ROT at 200 Senior Secondary Science Schools.